



3-Way Relay

LW825

Installation manual



www.lightwaverf.com

EC DECLARATION OF CONFORMITY

Responsible Authority:

LightwaveRF PLC,
Innovation Campus Birmingham
Faraday Wharf
Holt Street
Birmingham
B7 4BB

Tel: +44 (0)121 250 3625
Email: enquiries@lightwaverf.com

Model Number(s):

LW825

Description:

3-Way Relay

Directives this equipment

Complies with:

2006/95/EC The Low Voltage Directive N/A
2004/108/EEC The Electromagnetic Compatibility Directive
1999/5/EC R&TTE Directive
93/68/EEC CE Marking Directive

Standards Applied in order to verify compliance

Safety: BS EN 60730-1: 2011

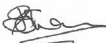
Health:

R&TTE: EN 301 489-1 V1.9.2: (2011-09), EN 301 489-3 V1.4.1: (2002-08)
EN 300 220-1 V2.1.1: 2006, EN 300 220-2 V2.1.2: 2007
EMC: EN 301 489-1 V1.9.2: (2011-09), EN 301 489-3 V1.4.1: (2002-08),
EN 55022: 2010, EN 61000-3-2: 2006 +A1: 2009 +A2: 2009 Class A,
EN 61000-3-3: 2008, EN61000-4-2: 2009,
EN 61000-4-3: 2006 +A1: 2008 +A2: 2010, EN 61000-4-4: 2012,
EN 61000-4-5: 2006, EN 61000-4-6: 2009, EN 61000-4-11: 2004

For and on behalf of LightwaveRF PLC

Name
Position

J Shermer
Managing Director



How do I get started?

Please refer to the following installation and setup instructions that will guide you through the installation and setup process.



What do I need?

The relay is designed to provide power to and remotely turn on/off three independent circuits (max 3000W in total). You must understand how your devices need to be wired and how to safely turn off the electricity supply. You will also need suitable electrical screwdrivers.



Help video & further guidance

For additional guidance, and to watch a video that will help guide you through the installation process, please visit the support section on www.lightwaverf.com

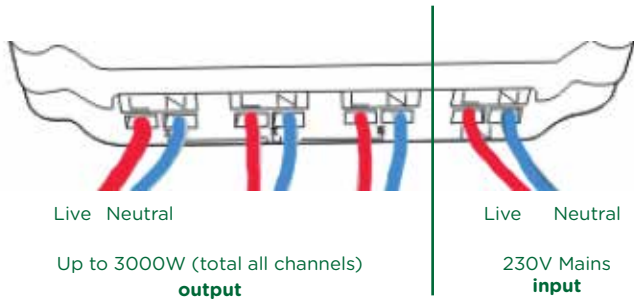


Overview



IMPORTANT: All LightwaveRF products can be legally DIY installed in your own home; however, if in doubt, always consult a qualified electrician or heating engineer. It is important to install this product in accordance with the following instructions. Failure to do so may void your warranty.

Wiring terminals

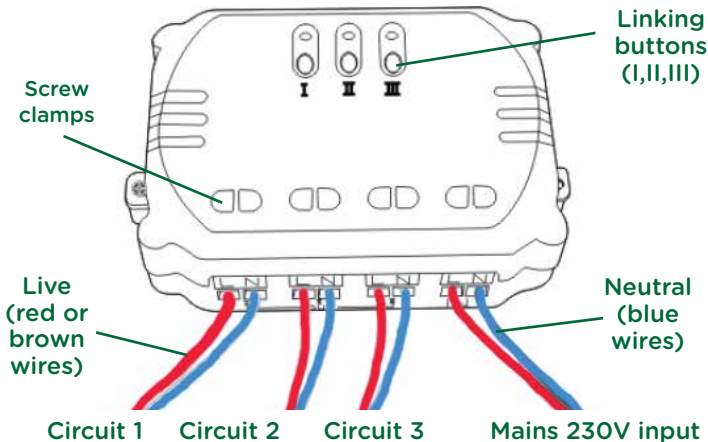


The 3-Way Relay requires mains power to operate. It can be used to provide mains power to and switch on/off three separate 230V circuits independently. The relay can provide a maximum of 3000W in **total** across the three circuits (not 3000W **per** circuit).

IMPORTANT: The 3-Way Relay is not designed to be left exposed once it is installed, as live mains wiring is connected to the terminals. Ensure that the device is mounted securely in a suitable housing (such as the LW823 Waterproof Housing). If conducting an insulation resistance test, all LightwaveRF products **must** be disconnected from the mains, or damage will occur.

Wiring the relay

Turn off mains power first then wire each circuit as shown in the diagram.



IMPORTANT: Max. output (total of three circuits) 3000W.

Linking to a LightwaveRF device

IMPORTANT: Make sure that the Relay is accessible once installed in order to operate the manual channel buttons (I, II and III) for linking.

Linking a channel to the LightwaveRF App or to a controller

- 1) Press and hold one of the manual buttons (I, II or III) on the Relay until the corresponding LED starts to flash.
- 2) Press an on or off button on the controller, or press 'connect' on the LightwaveRF App (the app instructions will explain how to do this). The LED will flash quickly to indicate a successful linking of that channel.

NOTE: Each channel has 6 memory slots and therefore can be linked with up to 6 independent controllers at any one time.

Un-linking with a LightwaveRF transmitter

- 1) Press and hold one of the manual buttons (I, II or III) on the Relay until the corresponding LED starts to flash.
- 2) Press the linked on or off button on the controller or app (the LED will flash quickly to indicate a successful un-linking of that device).

Clearing a channel memory (will remove any linked App or Controllers):

1. On the Relay, press and hold down the desired linking button (I, II or III) until the LED flashes, and then release it. That channel is now in **linking mode**.



2. Press and hold down the linking button again until the LED flashes more quickly, then tap (don't hold) the linking button a further time; the LED will flash slowly to confirm that the channel memory has been cleared.

NOTE: Reliable range of remote operation is around 15 metres indoors and up to 100m outdoors using the Lightwave Link. This figure may vary depending upon the environment; very thick walls, bodies of water or large metal objects may interfere with radio range.

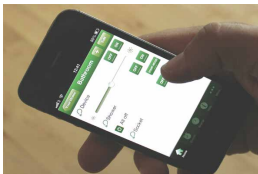
If the distance between the transmitter and receiver is too great to achieve reliable operation, the LightwaveRF Signal Booster may be used in conjunction with this product to increase the range.

IMPORTANT: relays should not be positioned within 30cm of one another, as their transmission signals may interfere and reduce the effective operational range.

Remote operation

Control with the LightwaveRF App

1. Press the 'on' button on the App to turn the linked circuit on.
2. Press the 'off' button on the App to turn the circuit off.



Control using an on/off transmitter such as the handheld remote

1. Press the 'on' button on the transmitter to turn the linked circuit on.
2. Press the 'off' button on the transmitter to turn the circuit off.



Specification

RF frequency: 433.92 MHz

Input rating: 220-240V~ 50Hz.

Output rating: 3000W Max.

Dimensions: Width 98mm, Height 60mm, Depth 30mm

Standby Energy Use: Less than 1W

Warranty: 2 year standard warranty



Lightwave^{RF}

Innovation Campus Birmingham
Faraday Wharf
Holt Street
Birmingham
B7 4BB

