

Inline Dimmer Operation Manual

Model No: JSJS LW831

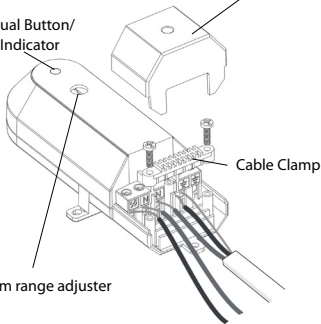
It is important to install this product in accordance with the fitting instructions below. Failure to do so may render your guarantee void.

IMPORTANT: PLEASE RETAIN THESE INSTRUCTIONS FOR FUTURE REFERENCE AND FOR GUIDANCE ON THE ASSOCIATION OF REMOTE HANDSETS. FOR HELP AND SETUP GUIDANCE PLEASE VISIT www.lightwaverf.com

OVERVIEW:

Manual Button/
LED Indicator

Cable Cover



Dim range adjuster

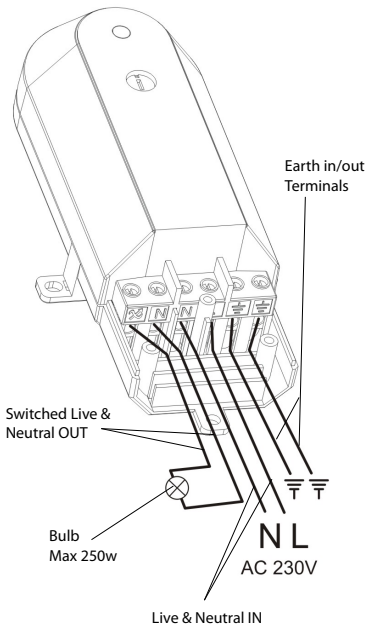
The Inline Dimmer is designed to switch and dim lighting circuits rated at up to 250w. It is mains powered and includes a rotary switch designed to tailor the dim range. This maximises compatibility with dimmable LED bulbs. The relay can be operated using any LightwaveRF Connect Remote.

FITTING AND WIRING INSTRUCTIONS:

Important Things to Consider Before you Begin

- 1). Before commencing work, ALWAYS isolate the mains power supply and remove the fuse in the fuse box or switch off the circuit breaker in the consumer unit.
- 2). If unit is to be used as a replacement for an existing product, remove existing unit from its location and disconnect the wiring.
- 3). Connect the wires as shown in appropriate wiring diagrams. Use green/yellow sleeving on any earth conductors not insulated. Ensure terminals are properly tightened and no bare wire is visible. When mounting products into mounting boxes make sure conductors are not trapped.
- 4). Products must be installed in accordance with the latest building and IEE wiring regulations. If in any doubt, please contact a qualified electrician.

INSTALLATION:



Installing the Inline Dimmer

- 1) Switch off the mains power
- 2) Connect the incoming Live and Neutral wires from the 230v mains circuit to the live and neutral terminals as shown in the diagram (incoming wires marked L & N).
- 3) Connect the incoming earth wire to one of the earth terminals indicated on the diagram. There are two terminals to accommodate an incoming AND an outgoing earth if required.
- 4) Connect the switched live and outgoing neutral wire connected to the lighting circuit to the corresponding terminals as shown in the diagram.

IMPORTANT: Remember that the maximum loading for the Dimmer is 250w for incandescent bulbs and recommended 60w for LEDs. Exceeding these limits could cause damage to the device.

SETUP:

IMPORTANT: Make sure that the relay is accessible once installed in order to operate the manual button for pairing.

Pairing with a LightwaveRF transmitter

1) Press and hold the manual button on the Inline Dimmer until the LED starts to flash.



2) Press the 'on' or 'up' button on the transmitter (e.g. handheld remote). The LED will flash quickly for 2 seconds to indicate a successful pairing.

NOTE: The Inline Dimmer can be paired with up to 6 separate transmitters at any one time.

Unpairing with a LightwaveRF transmitter

1) Press and hold the manual button on the Inline Dimmer until the LED starts to flash.

2) Press the 'off' or 'down' button on the transmitter (the LED will flash quickly for 2 seconds to indicate a successful unpairing of that device).

Complete Memory Reset

1) Press and hold the manual button. Release the button once the LED begins to flash. Press and hold a second time until the LED flashes more quickly.

2) Press (don't hold) the manual button a third time. The LED will flash quickly for 2 seconds to indicate that the memory has been cleared.

Setting the Dim Range (important if using LEDs!)

The Inline Dimmer has a built-in 8 step rotary switch designed to adjust the lower end of the dimming range of connected lamps.

The purpose of this switch is to increase compatibility with all types of dimmable LED bulbs: alternative brands can behave differently and can require tailored dim settings to ensure that there is no flicker at the top or bottom of the dimming range.

Any LED flickering can usually be eliminated by adjusting the dim range using the rotary switch.

To adjust to the minimum dim level, simply turn the rotary dialer to point toward the different numbered settings 1 to 8.



Each time the switch is repositioned (assuming that the Dimmer is powered on), the connected LED lamps will rise to 100% brightness and then dim down to the new minimum brightness.

Recommended Adjustment Process

- 1) Start from setting 8 (smallest dim range) adjust the switch from 8 to 7.
- 2) Power on LEDs by pressing the manual button and test the dimming range with a LightwaveRF remote.
- 3) If the LEDs light up normally, without flickering at any stage, then the dimming range can be increased by moving the switch to setting 6 and so on.
- 4) Repeat this process until setting 1 is reached. If any flickering is observed at any point, stop and return to the previous stable setting. This the optimum range for that particular bulb.

NOTE: Be aware that the number of LED bulbs as well as the type can affect performance - please refer to www.lightwaverf.com for guidance on LED bulbs.

OPERATION:

- 1) Press the 'on' button on the transmitter to turn the circuit on, and hold to dim up.
- 2) Press the 'off' button on the transmitter to turn the circuit off, and hold to dim down.

NOTE: If the RF range between the transmitter and receiver is too great to achieve reliable operation, the LightwaveRF **SIGNAL BOOSTER** may be used in conjunction with this product to increase the signal strength over greater distances.

SPECIFICATION:

Radio frequency: 433.92 MHz

Input: 230V~ / 50Hz

Output: max. 20 -250w incandescent

3-60w LED

20-250w electronic transformer

40-250w inductive transformer

Operating distance: 30 meter closed field.

Standby power consumption: ≤ 1 w.



J S J S D E S I G N S P L C

Birmingham Science Park Aston
Faraday Wharf
Holt Street
Birmingham
B7 4BB

Tel: 01902 500 562

Email: support@jsjdesigns.com